

# marantz®

## ADJUSTABLE PROJECTOR MOUNT EXTENSION POLE KIT

### Model EXT10

**WARNING:** - THERE IS A POSSIBILITY OF SERIOUS INJURY IF YOU DO NOT FOLLOW THESE INSTRUCTIONS. MAKE SURE THAT THE CEILING STRUCTURAL MEMBERS CAN SUPPORT A TOTAL WEIGHT OF FIVE TIMES THE TOTAL WEIGHT OF THE PROJECTOR AND BRACKET ASSEMBLY. PROPER INSTALLATION PROCEDURE BY QUALIFIED PERSONNEL AS OUTLINED IN THE INSTALLATION INSTRUCTIONS MUST BE ADHERED TO. FAILURE TO DO SO COULD RESULT IN SERIOUS INJURY. MAXIMUM LOAD 450 lbs.

### INSTRUCTIONS

#### Step 1.

Separate the Upper Pipe and Lower Pipe. Secure Upper Pipe to the Plate #1 ceiling plate of the Mount10 or Mount20 Projector Mount. Slide the tube through the opening of the ceiling plate and secure with provided screws and washers and nuts. Now secure the Ceiling Plate to the ceiling structure using commercial standards and commercially available suitable hardware.

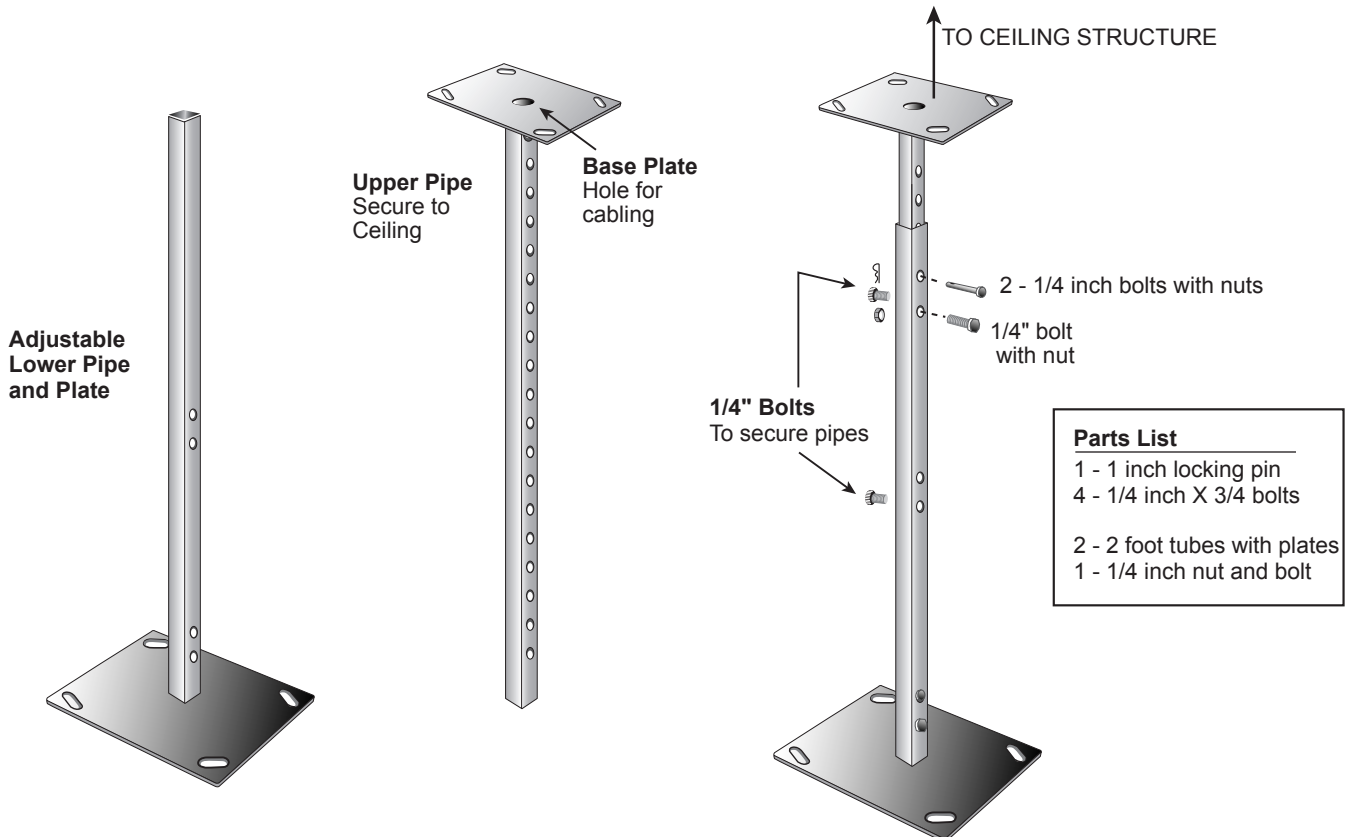
#### Step 2.

Secure the Lower Pipe to the Plate #2 of the Mount10 or Mount20 Projector Mount. Raise the projector mount with the Lower Pipe attached and slide the Lower Pipe on to the Upper Pipe and secure with provided hardware. (This will require two or more qualified people). Check all hardware for proper tightness and security.

#### ADJUSTABLE RANGE OF 12" TO 24" INSTRUCTIONS

#### Step 3.

The Upper Pipe has multiple through holes. This allows you to change the normal 24" to 46" adjustable range to 12" to 24" adjustable range with a simple cut of the pipe. We recommend cutting 5/8" from the center of the first hole of the second set of holes on the Upper Pipe. Cut between the 8th and 9th hole from the mounting plate.



Marantz America, Inc.  
1100 Maplewood Drive, Itasca, IL 60143  
Phone: 630 741-0300 Fax: 630 741-0301